



tubinox
.filpres

aços inoxidáveis. lda



AISI 316
CERROJOS
EN ACERO INOXIDABLE
FECHOS EM AÇO INOXIDÁVEL

CERROJOS PARA SOLDAR

FECHOS PARA SOLDAR

Varilla Ø 8 mm - Varão Ø 8 mm

Varilla Ø 10 mm - Varão Ø 10 mm

CÓDIGO	MEDIDAS A x B	PESO gramos
SO85x8/S	85 x 8 mm	70
SO85x8/P	85 x 8 mm	70
SO100x8/S	100 x 8 mm	76
SO100x8/P	100 x 8 mm	76
SO150x8/S	150 x 8 mm	105
SO150x8/P	150 x 8 mm	105
SO200x8/S	200 x 8 mm	120
SO200x8/P	200 x 8 mm	120
SO250x8/S	250 x 8 mm	140
SO250x8/P	250 x 8 mm	140
SO300x8/S	300 x 8 mm	166
SO300x8/P	300 x 8 mm	166
SO400x8/S	400 x 8 mm	198
SO400x8/P	400 x 8 mm	198
SO600x8/S	600 x 8 mm	285
SO600x8/P	600 x 8 mm	285
SO800x8/S	800 x 8 mm	365
SO800x8/P	800 x 8 mm	365

CÓDIGO	MEDIDAS A x B	PESO gramos
SO100x10/S	100 x 10 mm	111
SO100x10/P	100 x 10 mm	111
SO150x10/S	150 x 10 mm	153
SO150x10/P	150 x 10 mm	153
SO200x10/S	200 x 10 mm	184
SO200x10/P	200 x 10 mm	184
SO250x10/S	250 x 10 mm	208
SO250x10/P	250 x 10 mm	208
SO300x10/S	300 x 10 mm	240
SO300x10/P	300 x 10 mm	240
SO400x10/S	400 x 10 mm	295
SO400x10/P	400 x 10 mm	295
SO500x10/S	500 x 10 mm	
SO500x10/P	500 x 10 mm	
SO600x10/S	600 x 10 mm	
SO600x10/P	600 x 10 mm	
SO800x10/S	800 x 10 mm	
SO800x10/P	800 x 10 mm	

Varilla Ø 12 mm - Varão Ø 12 mm

Varilla Ø 16 mm - Varão Ø 16 mm

CÓDIGO	MEDIDAS A x B	PESO gramos
SO150x12/S	150 x 12 mm	235
SO150x12/P	150 x 12 mm	235
SO200x12/S	200 x 12 mm	315
SO200x12/P	200 x 12 mm	315
SO250x12/S	250 x 12 mm	357
SO250x12/P	250 x 12 mm	357
SO300x12/S	300 x 12 mm	480
SO300x12/P	300 x 12 mm	480
SO400x12/S	400 x 12 mm	490
SO400x12/P	400 x 12 mm	490
SO500x12/S	500 x 12 mm	595
SO500x12/P	500 x 12 mm	595
SO600x12/S	600 x 12 mm	665
SO600x12/P	600 x 12 mm	665
SO800x12/S	800 x 12 mm	837
SO800x12/P	800 x 12 mm	837

CÓDIGO	MEDIDAS A x B	PESO gramos
SO150x16/S	150 x 16 mm	423
SO150x16/P	150 x 16 mm	423
SO200x16/S	200 x 16 mm	546
SO200x16/P	200 x 16 mm	546
SO250x16/S	250 x 16 mm	620
SO250x16/P	250 x 16 mm	620
SO300x16/S	300 x 16 mm	666
SO300x16/P	300 x 16 mm	666
SO400x16/S	400 x 16 mm	812
SO400x16/P	400 x 16 mm	812
SO500x16/S	500 x 16 mm	1007
SO500x16/P	500 x 16 mm	1007
SO600x16/S	600 x 16 mm	1200
SO600x16/P	600 x 16 mm	1200

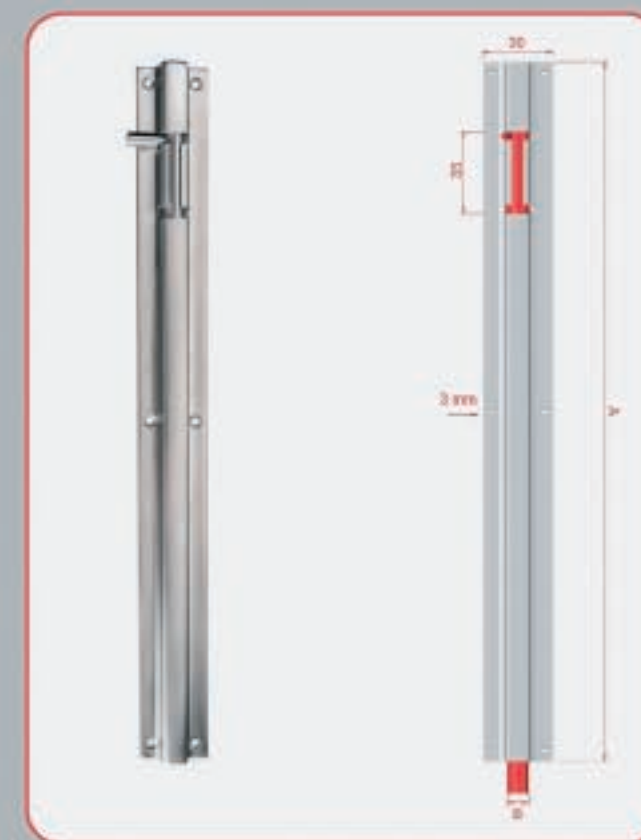
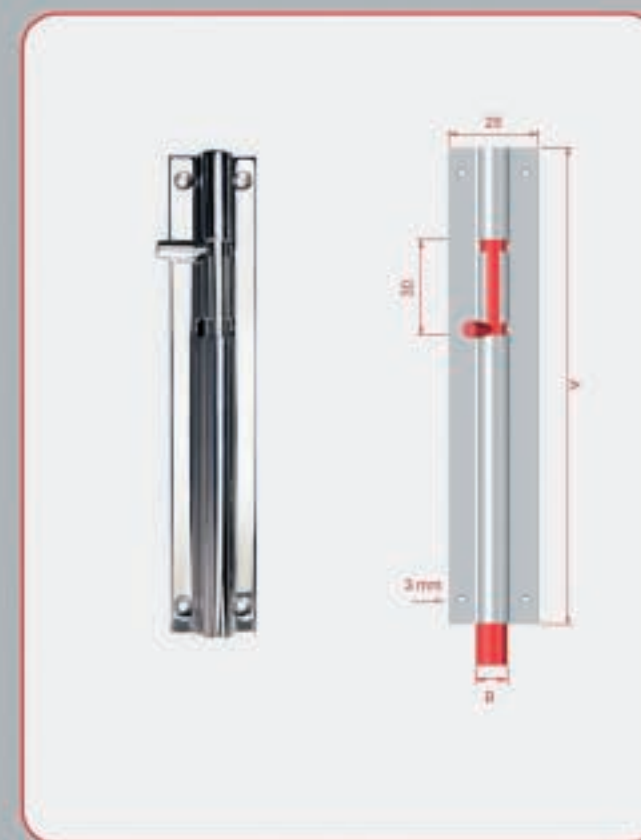
S = SATINADO / ACETINADO
P = PULIDO / POLIDO

CERROJOS PARA ATORNILLAR Mod. "VINTAGE"

FECHOS PARA PARAFUSAR

Varilla Ø 8 mm - Varão Ø 8 mm

Varilla Ø 10 mm - Varão Ø 10 mm



CÓDIGO	MEDIDAS A x B	PESO gramos
AT80x8/S	80 x 8 mm	74
AT80x8/P	80 x 8 mm	74
AT100x8/S	100 x 8 mm	89
AT100x8/P	100 x 8 mm	89
AT125x8/S	125 x 8 mm	108
AT125x8/P	125 x 8 mm	108
AT150x8/S	150 x 8 mm	129
AT150x8/P	150 x 8 mm	129
AT200x8/S	200 x 8 mm	165
AT200x8/P	200 x 8 mm	165
AT300x8/S	300 x 8 mm	218
AT300x8/P	300 x 8 mm	218

CÓDIGO	MEDIDAS A x B	PESO gramos
AT100x10/S	100 x 10 mm	120
AT100x10/P	100 x 10 mm	120
AT150x10/S	150 x 10 mm	180
AT150x10/P	150 x 10 mm	180
AT200x10/S	200 x 10 mm	240
AT200x10/P	200 x 10 mm	240
AT250x10/S	250 x 10 mm	300
AT250x10/P	250 x 10 mm	300
AT300x10/S	300 x 10 mm	360
AT300x10/P	300 x 10 mm	360
AT400x10/S	400 x 10 mm	480
AT400x10/P	400 x 10 mm	480
AT500x10/S	500 x 10 mm	600
AT500x10/P	500 x 10 mm	600
AT600x10/S	600 x 10 mm	720
AT600x10/P	600 x 10 mm	720

Modelo "Vintage"

Un cerrojo tradicional y de gran calidad adaptado a un estilo actual