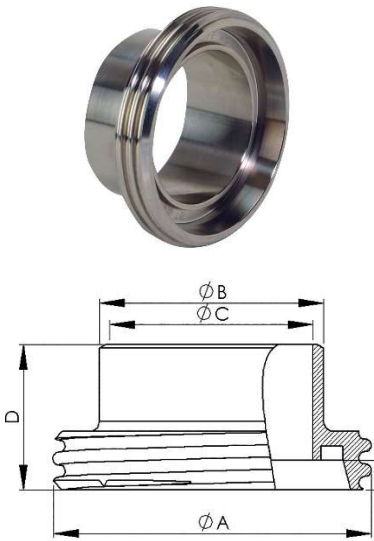
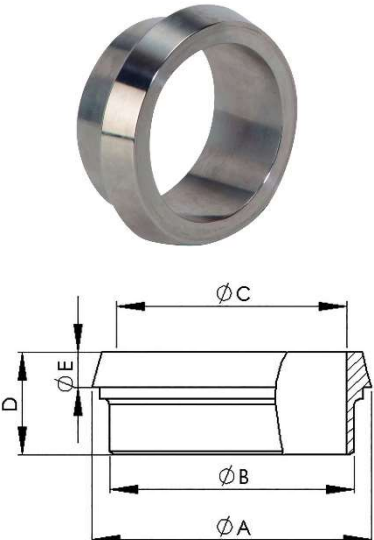


Macho Soldar DIN11851

Código		DN	Ø	C	B mm	A	D mm	Kg
DIN001000010410		DN 10	12	10	15	Rd28x1/8"	21	0.04
DIN001500010xxx		DN 15	18	16	21	Rd34x1/8"	21	0.05
DIN002000010xxx		DN 20	22	20	25	Rd44x1/6"	24	0.09
DIN002500010xxx		DN 25	28	26	31	Rd52x1/6"	29	0.12
DIN003200010xxx		DN 32	34	32	37	Rd58x1/6"	32	0.15
DIN004000010xxx		DN 40	40	38	43	Rd65x1/6"	33	0.17
DIN005000010xxx		DN 50	52	50	55	Rd78x1/6"	35	0.22
DIN006500010xxx		DN 65	70	66	72	Rd95x1/6"	40	0.37
DIN008000010xxx		DN 80	85	81	87	Rd110x1/4"	45	0.54
DIN010000010xxx		DN 100	104	100	106	Rd130x1/4"	54	0.65
DIN012500010xxx		DN 125	129	125	132	Rd160x1/4"	46	0.96
DIN015000010xxx		DN 150	154	150	157	Rd190x1/4"	50	1.80

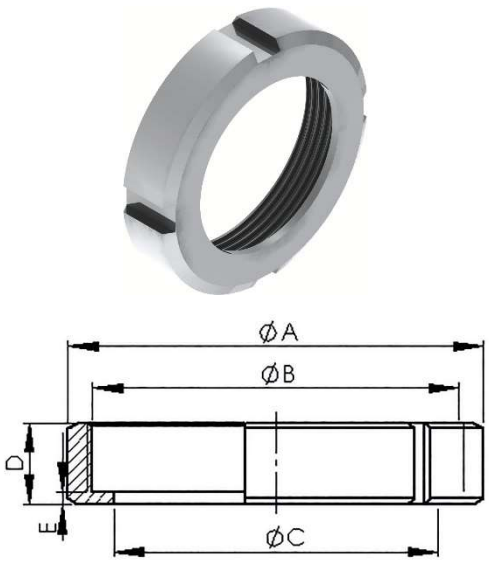
AISI 304/304L substituir xxx por 210, AISI 316L substituir xxx por 410

Casquilho Soldar DIN11851

Código		DN	Ø	B	C mm	A mm	D	Kg
DIN001000020410		DN 10	12	15	10	22.5	17	0.02
DIN001500020xxx		DN 15	18	21	16	28.5	17	0.03
DIN002000020xxx		DN 20	22	25	20	36.5	18	0.06
DIN002500020xxx		DN 25	28	31	26	44	22	0.09
DIN003200020xxx		DN 32	34	37	32	50	25	0.11
DIN004000020xxx		DN 40	40	43	38	56	26	0.13
DIN005000020xxx		DN 50	52	55	50	68.5	28	0.18
DIN006500020xxx		DN 65	70	72	66	86	32	0.29
DIN008000020xxx		DN 80	85	87	81	100	37	0.36
DIN010000020xxx		DN 100	104	106	100	121	44	0.55
DIN012500020xxx		DN 125	129	132	125	150	34	0.81
DIN015000020xxx		DN 150	154	157	150	176	37	1.11

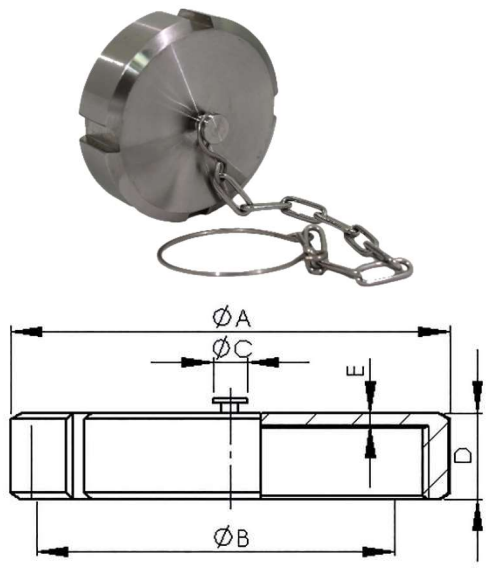
AISI 304/304L substituir xxx por 210, AISI 316L substituir xxx por 410

Porca Racord DIN11851

Código		DN	Ø	A	C mm	B	D mm	Kg
DIN001000030210		DN 10	12	38	19	Rd28x1/8"	18	0.08
DIN001500030210	DN 15	18	44	25	Rd34x1/8"	18	0.09	
DIN002000030210	DN 20	22	54	31	Rd44x1/6"	20	0.13	
DIN002500030210	DN 25	28	63	36	Rd52x1/6"	21	0.19	
DIN003200030210	DN 32	34	70	42.5	Rd58x1/6"	21	0.24	
DIN004000030210	DN 40	40	78	49	Rd65x1/6"	21	0.27	
DIN005000030210	DN 50	52	92	62	Rd78x1/6"	22	0.35	
DIN006500030210	DN 65	70	112	80	Rd95x1/6"	25	0.56	
DIN008000030210	DN 80	85	127	94	Rd110x1/4"	29	0.78	
DIN010000030210	DN 100	104	138	115	Rd130x1/4"	31	1.08	
DIN012500030210	DN 125	129	178	138	Rd160x1/4"	35	1.50	
DIN015000030210	DN 150	154	210	164	Rd190x1/4"	40	2.00	

Em stock AISI 304/304L

Porca Cega Completa* DIN11851


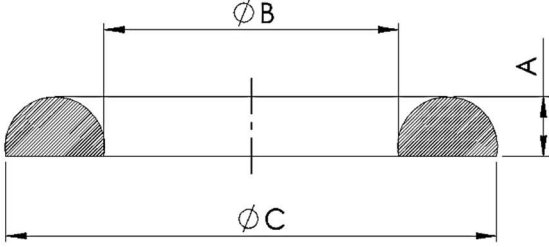
Código		DN	Ø	A	C Ø	B	D mm	Kg
-		DN 10	12	38	3	Rd28x1/8"	15	
Sob consulta	DN 15	18	44	3	Rd34x1/8"	25	0.12	
Sob consulta	DN 20	22	54	3.5	Rd44x1/6"	27	0.18	
DIN002500090xxx	DN 25	28	63	3.5	Rd52x1/6"	28	0.20	
DIN003200090xxx	DN 32	34	70	3.5	Rd58x1/6"	28	0.25	
DIN004000090xxx	DN 40	40	78	3.5	Rd65x1/6"	28	0.29	
DIN005000090xxx	DN 50	52	92	3.5	Rd78x1/6"	29	0.37	
DIN006500090xxx	DN 65	70	112	3.5	Rd95x1/6"	32	0.70	
DIN008000090xxx	DN 80	85	127	4	Rd110x1/4"	36	0.95	
DIN010000090xxx	DN 100	104	148	5	Rd130x1/4"	38	1.40	
DIN012500090xxx	DN 125	129	178	5	Rd160x1/4"	42	2.00	
DIN015000090xxx	DN 150	154	210	6	Rd190x1/4"	34		

AISI 304/304L substituir xxx por 210, AISI 316L substituir xxx por 410

* com corrente e junta

As especificações podem ser alteradas sem aviso prévio. Salvaguardam-se erros de publicação.

Junta Racord DIN11851

Código		DN	Ø	A mm	B mm	C mm	D	Kg
DIN001000042xxx		DN 10	12	4.5	12	20		0.001
DIN001500042xxx		DN 15	18	4.5	18	26		0.001
DIN002000042xxx		DN 20	22	4.5	23	33		0.002
DIN002500042xxx		DN 25	28	5	30	40		0.003
DIN003200042xxx		DN 32	34	5	36	46		0.004
DIN004000042xxx		DN 40	40	5	42	52		0.004
DIN005000042xxx		DN 50	52	5	54	64		0.005
DIN006500042xxx		DN 65	70	5	71	81		0.007
DIN008000042xxx		DN 80	85	5	85	95		0.007
DIN010000042xxx		DN 100	104	6	104	114		0.012
DIN012500042xxx		DN 125	129	7	130	142		0.020
DIN015000042xxx		DN 150	154	7	155	167		0.022

EPDM substituir xxx por 300, NBR substituir xxx por 400, Silicone substituir xxx por 500, Viton substituir xxx por 700